

A photograph of the Clanwilliam Dam, a large concrete structure with multiple spillways. The dam is situated in a dry, hilly landscape. Water is flowing over the spillways, creating white rapids. The dam's structure is composed of several large, rectangular concrete blocks. The background shows a dry, hilly landscape with sparse vegetation and a few small buildings on a hillside.

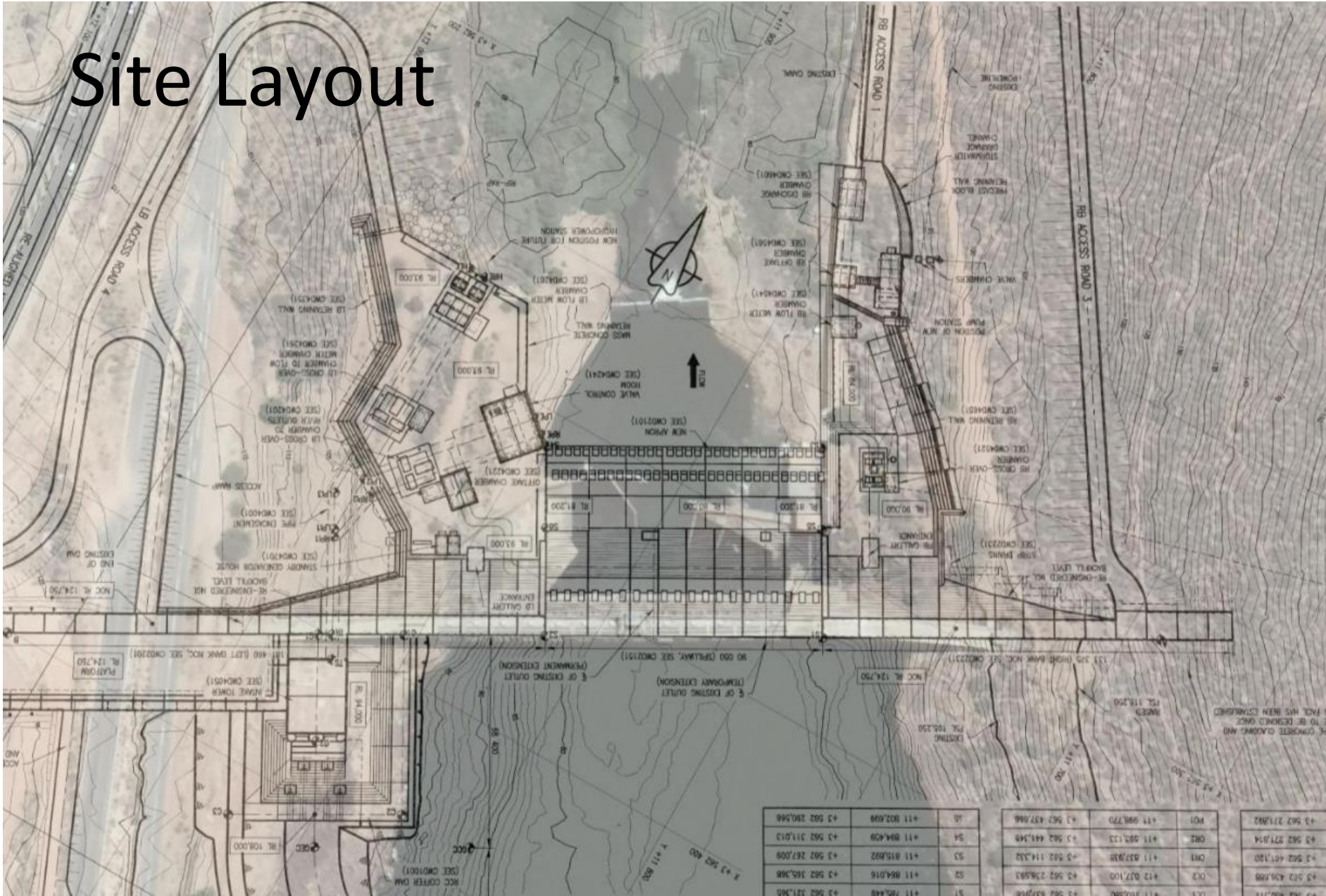
Raising of Clanwilliam Dam

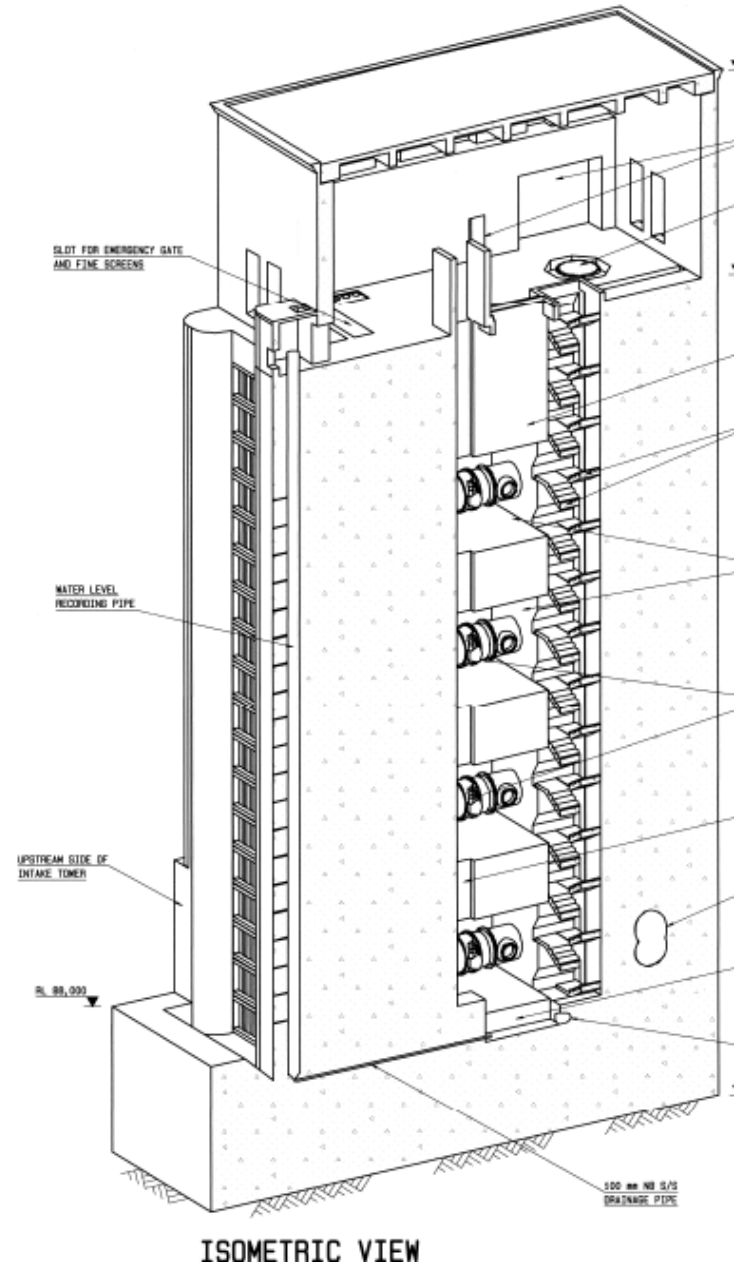
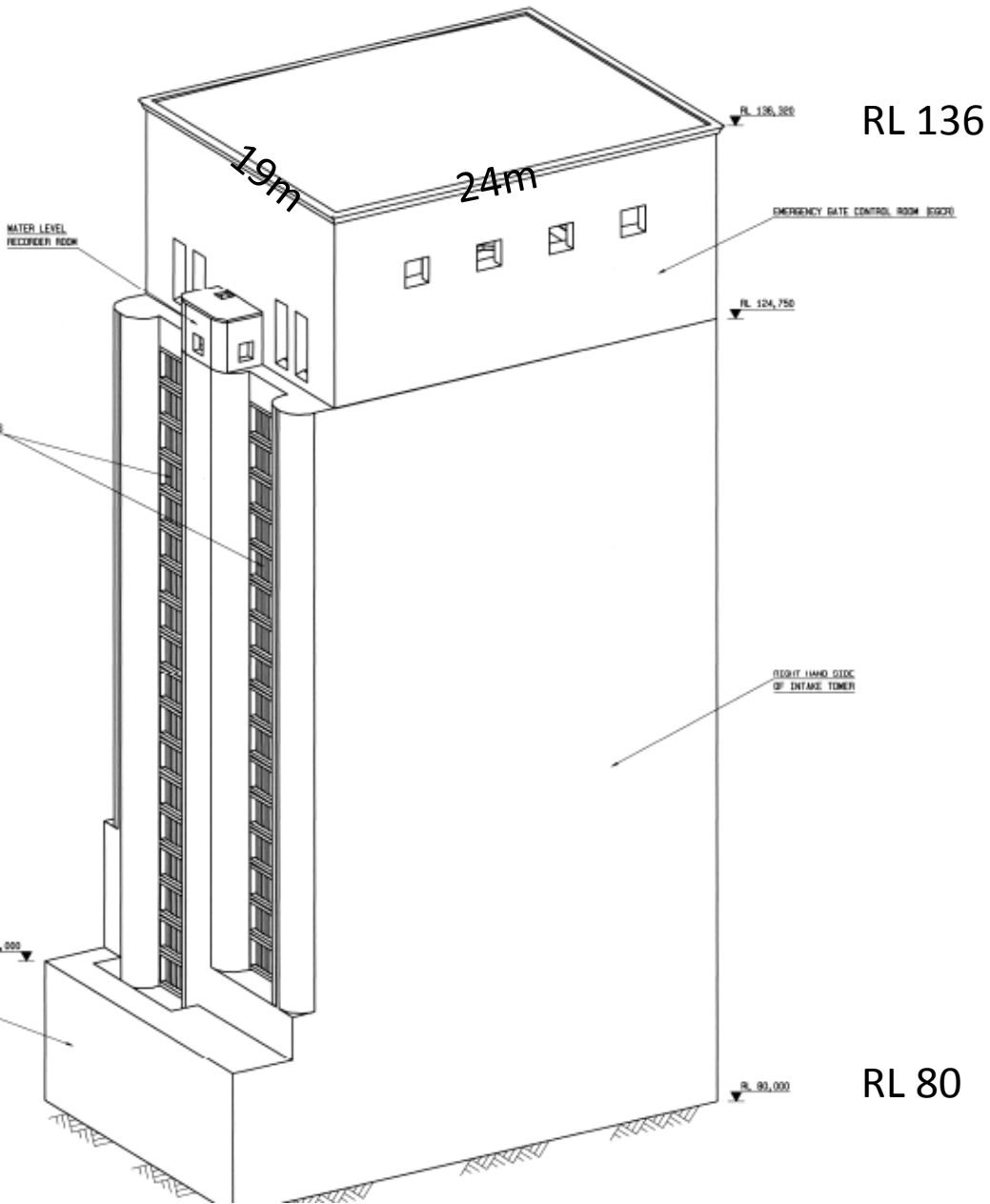
Supply and Delivery of Mild Steel and
High Yield Reinforcing Steel Tender:

DWS07-0219 (WTE)

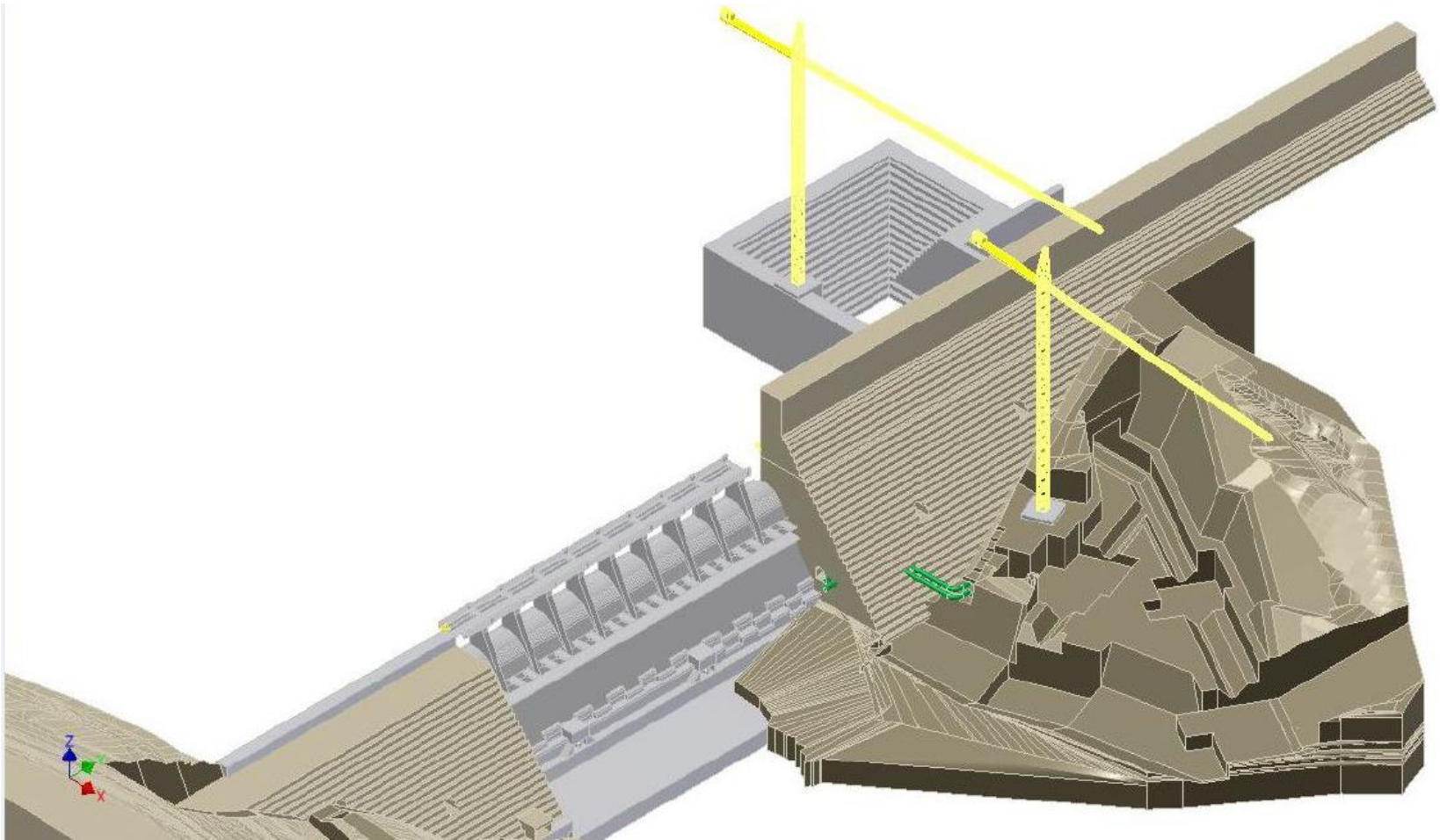
Technical Presentation

Site Layout





Tower crane positions



Corrections To Tender Document



DEPARTMENT OF WATER AND SANITATION
REPUBLIC OF SOUTH AFRICA

DWS07-0219WTE-Part 1

DUE AT 11.00 ON

11 April 2019

DWS07-0219 (WTE)

THE SUPPLY AND DELIVERY OF MILD STEEL AND HIGH YIELD REINFORCING
STEEL (250 & 450 MPa) IN 13M LENGTHS AND FABRIC REINFORCING
AND
CUT, BEND AND FIXING OF REINFORCING STEEL AND FABRIC REINFORCING
FOR THE RAISING OF CLANWILLIAM DAM FOR CONSTRUCTION SOUTH IN THE
WESTERN CAPE PROVINCE FOR 52 MONTHS

SUBMIT BID DOCUMENTS TO:

POSTAL ADDRESS:
DIRECTOR-GENERAL,
WATER AND SANITATION
PRIVATE BAG X313
PRETORIA, 0001

OR

TO BE DEPOSITED IN:
THE BID BOX AT THE ENTRANCE
OF ZWAMADAKA BUILDING
157 FRANCIS BAARD STREET
PRETORIA, 0001

Compulsory Briefing Session
Date: 26 March 2019
Time: 10:00
Venue: Clanwilliam Dam Site

Corrections To Tender Document

Chief Directorate: Construction Management

DWS07-0219WTE-Part 2

1. Ignore pages 60/161 to 70/161
2. Ignore pages 82/161 to 161/161



Successful Bidder

- Must comply with all legislations and regulations for the work to be carried out.
- Must supply DWS with procurement stats
- Must supply DWS with labour information