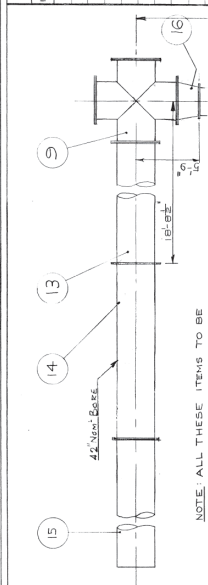


REG. NO. 45241 ALL PARTS TO HAVE PART NUMBER MARKED PERMANENTLY ON NON-WORKING SURFACE

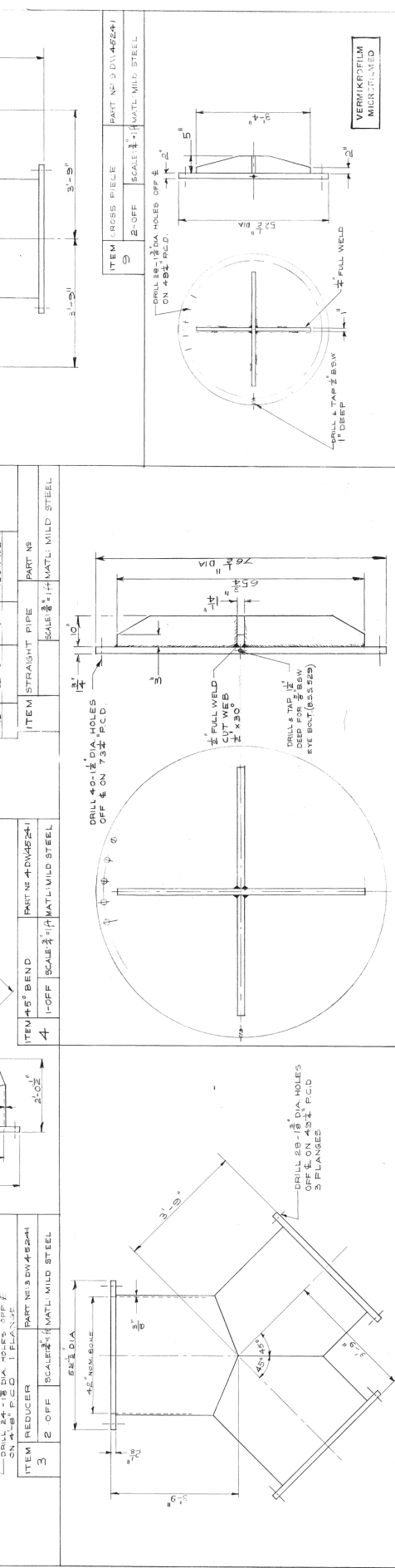
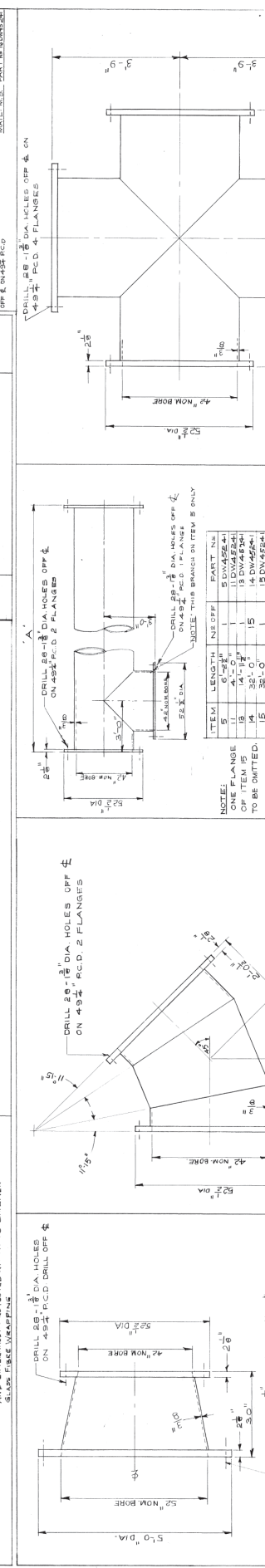
PARTS LIST		BOLT SCHEDULE	
ITEM NO.	DESCRIPTION	NO. OFF	ITEM
1	52" NOM. BORE RUBBER GASKET 1/2" THICK	48	1
2	REDUCER PIECE 52.10" - 42" I.D.	6	2
3	45° BEND	1	3
4	STRAIGHT PIPE	1	4
5	SEE BOLT SCHEDULE	840	5
6	42" NOM. BORE RUBBER GASKET 1/2" THICK	30	6
7	BLANKING OFF FLANGE	2	7
8	CROSS PIECE	1	8
9	Y-PIECE	1	9
10	STRAIGHT PIPE	1	10
11	STRAIGHT PIPE	1	11
12	STRAIGHT PIPE	1	12
13	STRAIGHT PIPE	1	13
14	STRAIGHT PIPE	1	14
15	STRAIGHT PIPE	1	15
16	42" - 36" I.D. REDUCER	1	16



NOTE: ALL THESE ITEMS TO BE LINED INTERNALLY WITH BITUMEN. ITEMS 9, 10, 11, 12, 13, 14, 15 TO BE EXTERNALLY PROTECTED WITH 2\"/>

SCALE: 1/4\"/>

NOTE: REFER TO DETAIL C  
 DRG. REG. NO. 45129165



ITEM	DESCRIPTION	SCALE	PART NO.
17	42" NOM. BORE RUBBER GASKET 1/2" THICK	1/4" = 1'	45241-17
18	REDUCER PIECE 42" - 36" I.D.	1/4" = 1'	45241-18
19	45° BEND	1/4" = 1'	45241-19
20	STRAIGHT PIPE	1/4" = 1'	45241-20

SCALE: 1/4" = 1'

NOTE: THIS ITEM REFERS TO DRG. REG. NO. 44503165 ME

NO. OF REVISION	SIGN.	DATE
1		143 66

REVISIONS REMOVED FROM CROSS FILE:

GENERAL TOLERANCES UNLESS OTHERWISE SPECIFIED:  
 1. DECIMAL DIMENSIONS .001"  
 2. FRACTIONAL DIMENSIONS 1/32"  
 3. DIMENSIONS IN FT. - INCHES .001"

GENERAL NOTES:  
 ALL ITEMS ON THIS SHEET TO BE TESTED UNDER A PRESSURE OF 150 P.S.I.  
 ALL DIMENSIONS TO BE MACHINED TO A TOLERANCE OF ±.005 INCHES UNLESS OTHERWISE SPECIFIED.  
 BACK PAGES TO BE MACHINED OR SHIPPED

FLANGES TO CONFORM TO ALL REQUIREMENTS OF A.S.M.E. SECTION VIII DIVISION 1. ALL FLANGES TO BE DRIFT PINNED TO BE TESTED UNDER A PRESSURE OF 150 P.S.I.

ITEMS BLANKING OFF FLANGE PART NO. 45241-8  
 SCALE: 1/4" = 1' MAT'L: MILD STEEL

ITEM 9 CROSS PIECE PART NO. 45241-9  
 SCALE: 1/4" = 1' MAT'L: MILD STEEL

ITEM 10 Y-PIECE PART NO. 45241-10  
 SCALE: 1/4" = 1' MAT'L: MILD STEEL

ITEM 11 STRAIGHT PIPE PART NO. 45241-11  
 SCALE: 1/4" = 1' MAT'L: MILD STEEL

ITEM 12 STRAIGHT PIPE PART NO. 45241-12  
 SCALE: 1/4" = 1' MAT'L: MILD STEEL

ITEM 13 STRAIGHT PIPE PART NO. 45241-13  
 SCALE: 1/4" = 1' MAT'L: MILD STEEL

ITEM 14 STRAIGHT PIPE PART NO. 45241-14  
 SCALE: 1/4" = 1' MAT'L: MILD STEEL

ITEM 15 STRAIGHT PIPE PART NO. 45241-15  
 SCALE: 1/4" = 1' MAT'L: MILD STEEL

ITEM 16 42" - 36" I.D. REDUCER PART NO. 45241-16  
 SCALE: 1/4" = 1' MAT'L: MILD STEEL

ITEM 17 42" NOM. BORE RUBBER GASKET 1/2" THICK PART NO. 45241-17  
 SCALE: 1/4" = 1' MAT'L: MILD STEEL

ITEM 18 REDUCER PIECE 42" - 36" I.D. PART NO. 45241-18  
 SCALE: 1/4" = 1' MAT'L: MILD STEEL

ITEM 19 45° BEND PART NO. 45241-19  
 SCALE: 1/4" = 1' MAT'L: MILD STEEL

ITEM 20 STRAIGHT PIPE PART NO. 45241-20  
 SCALE: 1/4" = 1' MAT'L: MILD STEEL

VERMIKOPFILM MICRO-PRINTED

DEPARTMENT OF WATER AFFAIRS ERMELO  
 USUTU RIVER GOVERNMENT WATER SCHEME - FRICHO DAM  
 TEMPORARY LAYOUT AND DETAILS OF STEEL PIPES  
 DRAWN BY: J. M. Jordaan  
 MECHANICAL DIVISION SCALES AS SHOWN  
 SHEET 1 OF 1 SHEET  
 REG. NO. J. M. JORDAAN  
 JHEP MECHANICAL ENGINEER  
 CHECKED: J. M. Jordaan  
 DATE: 14/11/66  
 DRAWING NO. 45241-165 ME