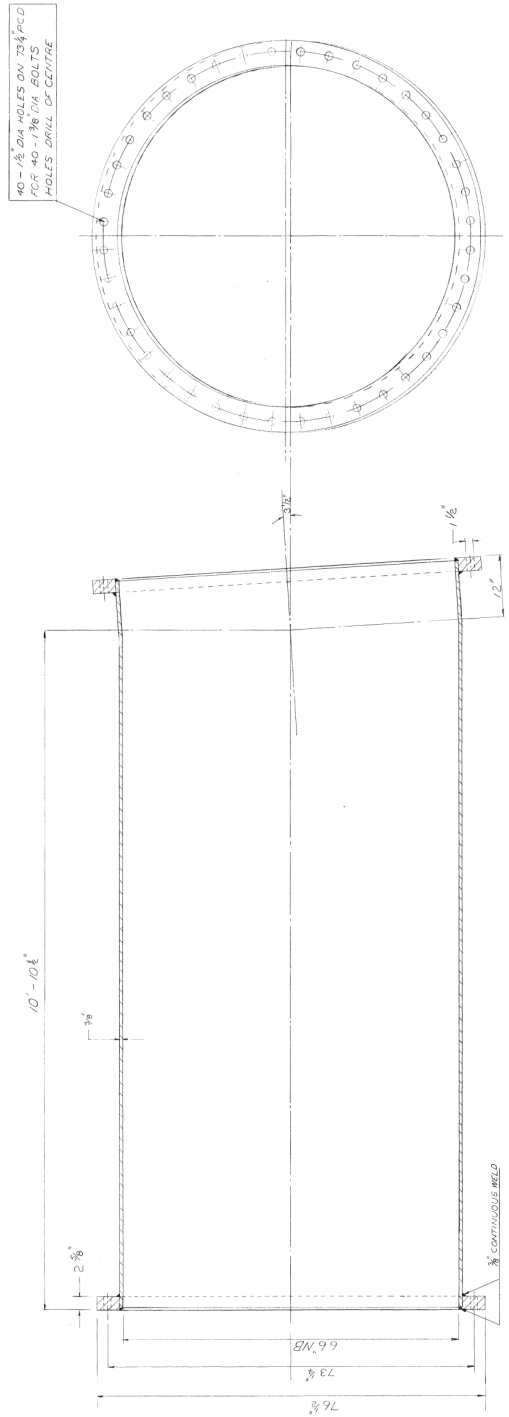
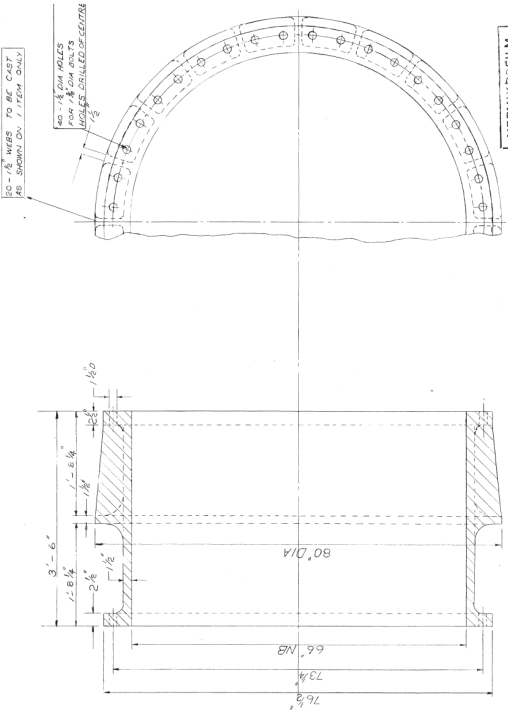


ALL PARTS TO HAVE PART NUMBER WHEN GIVEN MATERIAL PERFORMANCE BY MANUFACTURER'S MANUAL



ITEM	66" NB BEND	MAF ¹ STEEL
	PART N ^o 20W-46376	SCALE 1"=1' 1/2



ITEM	66" NB PIPE	MAF ¹ CAST IRON
	PART N ^o 20W-46376	SCALE 1"=1' 1/2

VERNIER FILM MICROFILMED

TRANSVAL	DEPARTMENT OF WATER AFFAIRS	ERMULO
USUTU RIVER GOVERNMENT WATER SCHEME JERICHO DAM		
DETAILS OF OUTLET WORKS		
DRAWN	F.H. GENSER	SCALE AS SHOWN
CHECKED	J.M. JORDAN	SHT 2 OF 2 SHTS
DATE	29/11/66	REC N ^o 46376
	CHIEF ENGINEER (MECH.) SEC. FOR WATER AFFAIRS	

ITEM	66" NB STRAIGHT PIPE	MAF ¹ STEEL
	PART N ^o 40W-46376	SCALE 1"=1' 1/2

DO NOT SCALE DRAWING

GENERAL TOLERANCES	REMOVE ALL SHARP EDGES
1. DECIMAL DIMENSIONS ± .001"	
2. FRACTIONAL DIMENSIONS IN INCHES ONLY ± .01"	
3. FRACTIONAL DIMENSIONS IN FEET-INCHES ± 1/16"	

GENERAL NOTES	
NUMBERS TO BE IN ACCORDANCE WITH BSS 10	
NUMBER SPECIES TO BE IN ACCORDANCE WITH BSS 11	
CASTINGS TO BE IN ACCORDANCE WITH BSS 12	
STEEL PIPES TO BE HYDRAULICALLY TESTED TO 90% OF 20 T.S.P.	

40 - 1/2" DIA HOLES ON 33" PITCH FOR 40 - 1 1/2" DIA BOLTS HOLES DRILL OFF CENTRE

40 - 1/2" DIA HOLES ON 33" PITCH FOR 40 - 1 1/2" DIA BOLTS HOLES DRILL OFF CENTRE

9' - 7 3/4"

9' - 6"