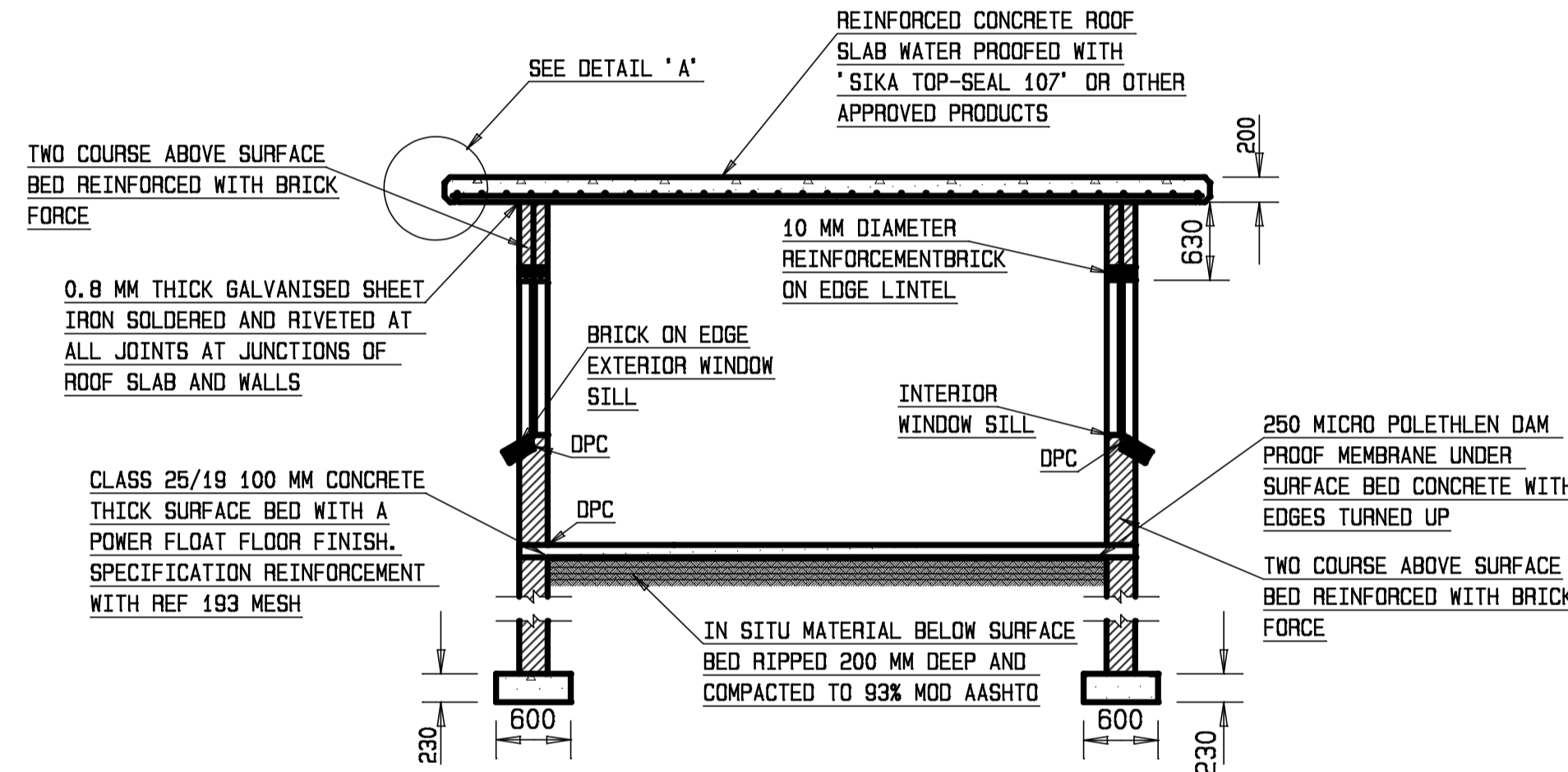
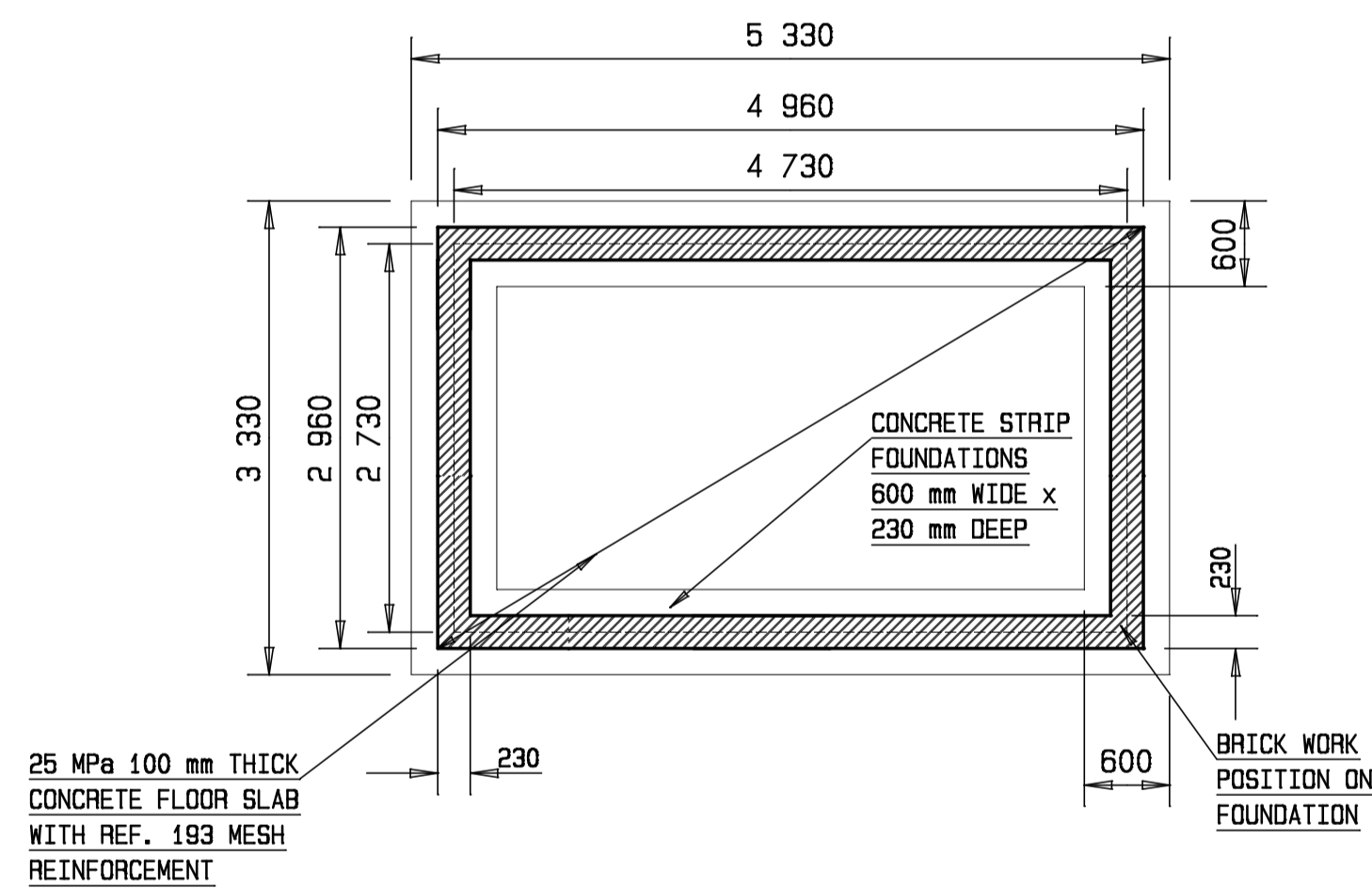


FUEL STORE PLAN LAYOUT
SCALE: 1:50

CONCRETE ROOF PLAN LAYOUT CLASS 25/19 CONCRETE
SCALE: 1:50

WEST ELEVATION
SCALE: 1:50

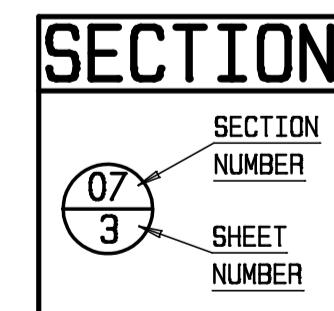
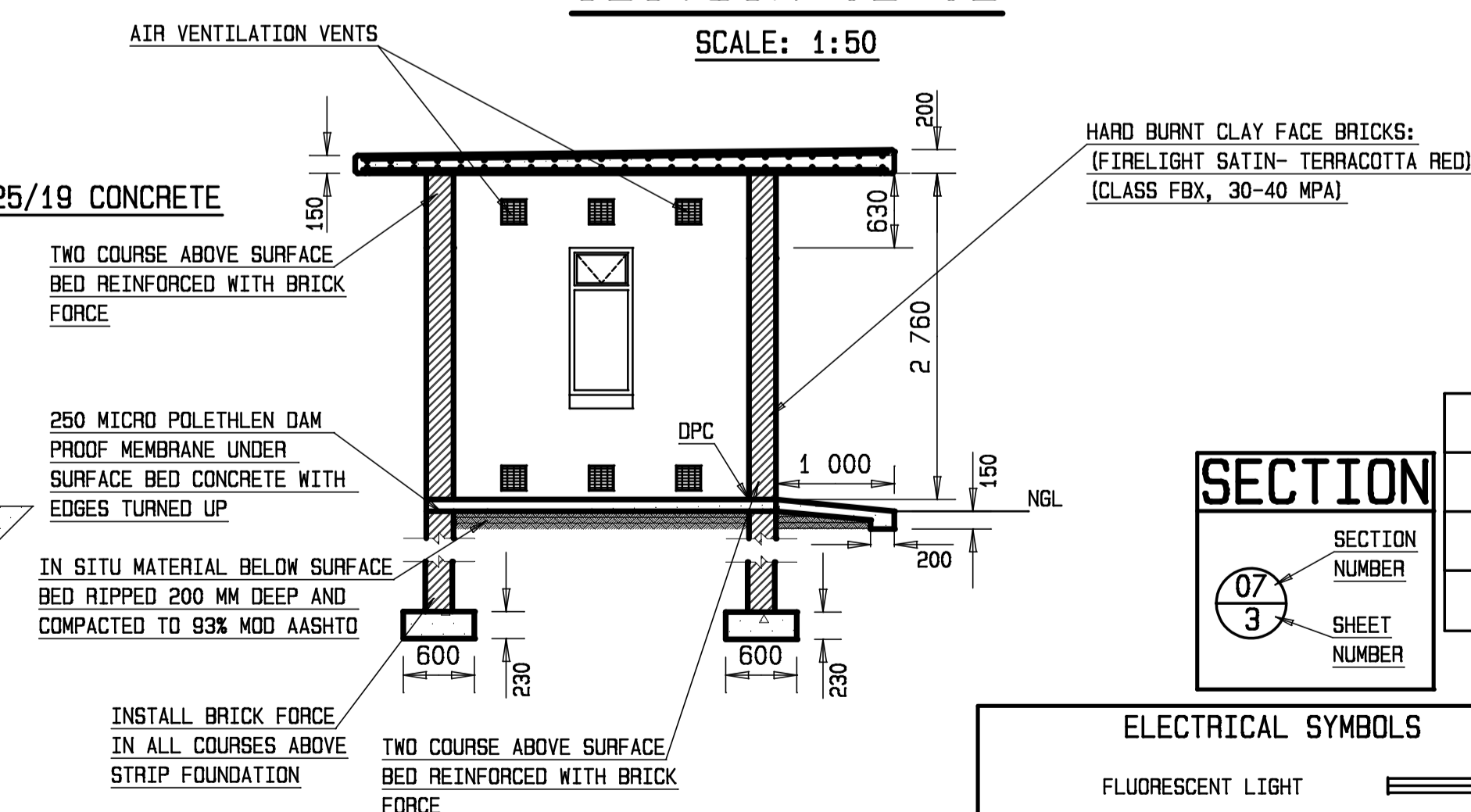
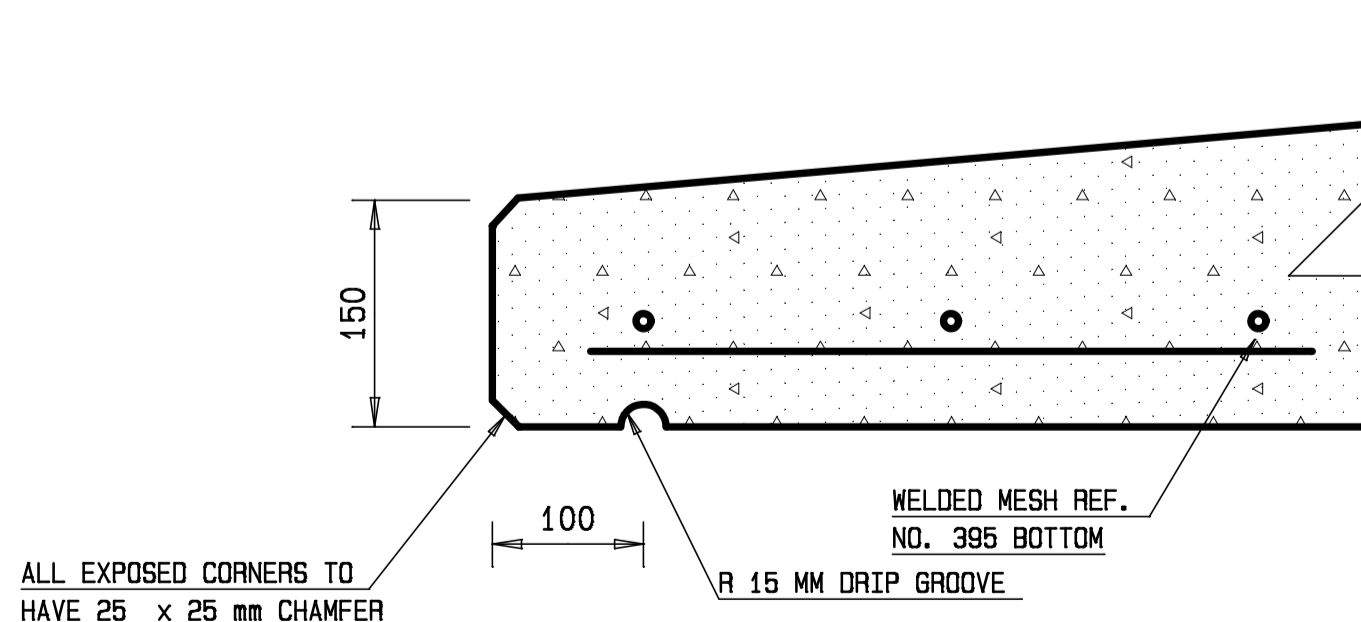
EAST ELEVATION
SCALE: 1:50



- NOTES:**
- IN GENERAL ALL CONCRETE WORKS SHALL COMPLY WITH SANS 1200 -G SERIES AND CONSTRUCTION WORKS SPECIFICATION PW 371
CONCRETE CLASS: MASS CONCRETE - CLASS A 10/19
STRIP FOOTINGS (BRICKWALLS) - CLASS E 25/19
CONCRETE ROOF (SLABS) - CLASS F 25/19
CONCRETE COVER TO REINFORCEMENT: FOUNDATIONS - 30 mm
SLABS - 30 mm
 - ALL EXPOSED CORNERS SHALL BE 25 x 25 mm CHAMFERED.
 - NO CONCRETE SHALL BE PLACED PRIOR TO APPROVAL OF FOUNDATIONS BY ENGINEER.
 - ALL NON SHUTTERED CONCRETE SURFACES SHALL HAVE A WOOD FLOATED SURFACE.
 - ALL WORKS SHALL COMPLY WITH THE NATIONAL BUILDING REGULATION SABS 0400 BRICKWORKS:
1. IN GENERAL ALL BRICKWALLS SHALL COMPLY WITH SANS 0400-1990 AND THE CONSTRUCTION WORKS SPECIFICATION PW 371
2. BRICKWORK TO BE PLACED IN EVERY 5th COURSE AND IN EVERY 3th COURSE LAYERS ABOVE AND BELOW CONCRETE SLABS, DOOR AND WINDOW OPENINGS WITH MINIMUM LAB LENGTH OF 150 mm.
- NOTES:**
- CONCRETE ROOF SLAB
- CONCRETE CLASS 25/19.
 - COVER TO REINFORCEMENT-50 mm
 - NO SCREED TO BE USE ON THE ROOF.SLOPE TO BE FORMED IN PRIMARY CONCRETE.
 - SUPPLY AND INSTALL WATER PROOFING SIMILAR TO PUMP-STATION CONCRETE ROOFS.
 - ALL CONCRETE ROOF WORKS SHALL COMPLY WITH SANS 10400 L CONCRETE ROOF SPICIFICATIONS

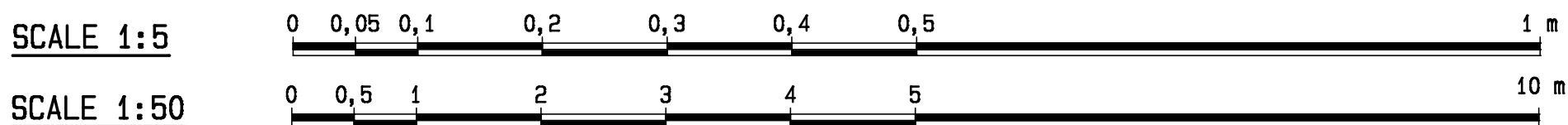
FOUNDATION PLAN LAYOUT CLASS 25/19 CONCRETE
SCALE: 1:50

SECTION 02-02
SCALE: 1:50



- ELECTRICAL SYMBOLS**
- FLUORESCENT LIGHT
 - ROOF LIGHT
 - WALL SOCKET 350 mm ABOVE FLOOR
 - ONE WAY SWITCH
 - TWO WAY SWITCH
 - WALL MOUNTED LIGHT
 - DISTRIBUTION BOARD ABOVE LIGHT SWITCH

	813	215	533	1022
	2032	215	1245	1245
PLAN REFERENCE	01	RECTANGULAR AIR VENT BRICK 215 X 215	DD 5F	ND 2F
MANUFACTURER'S CODE:	813 X 2032	RECTANGULAR AIR VENT BRICK 215 X 215	DD 5F	ND 2F
QUANTITY & APPLICATION:	1	TRANSFORMER DOOR LOUVRED PANNEL	2	1
FRAME MATERIAL:	STEEL DOOR FRAME	CLAY AIR VENTS	STEEL WINDOWS	STEEL WINDOW



DEPARTMENT OF WATER AFFAIRS AND SANITATION
REPUBLIC OF SOUTH AFRICA

HEAD OFFICE
CIVIL ENGINEERING
PRIVATE BAG X313
PRETORIA 0001

SEDIBENG BUILDING
185 SCHOLMAN STREET
PRETORIA
(012) 336-7500

M. SIRENYA
DIRECTOR GENERAL

CHECKED: DATE: DRAWN: SIBONELI SIKHOSANA

ENGINEER: DATE: EXTERNAL APPROVAL: DATE:

CHIEF ENGINEER / APP. (Pr. Eng): DATE: DIRECTOR (Pr. Eng): DATE:

MGENI GOVERNMENT WATER SCHEME
EASTERN OPERATIONS: HAZELMERE DAM
FUEL STORAGE HOUSE TYPE DRAWING

PROVINCE: KWAZULU-NATAL	DISTRICT: HOWICK	SHEET	REG. No.	OTHER NUMBER	REV.
LOCALITY No. 1	TENDER/ CONTRACT No.	1 OF 1			